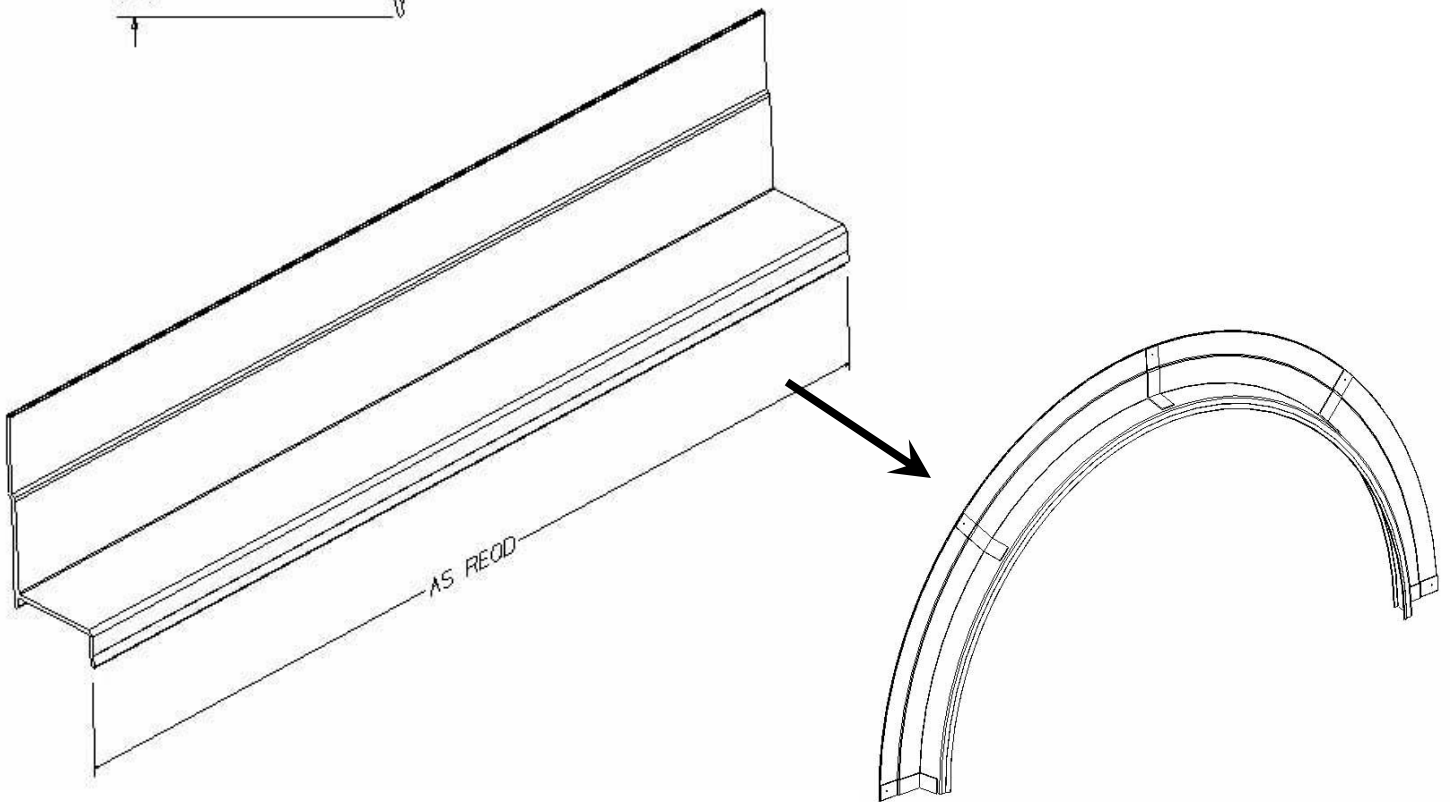
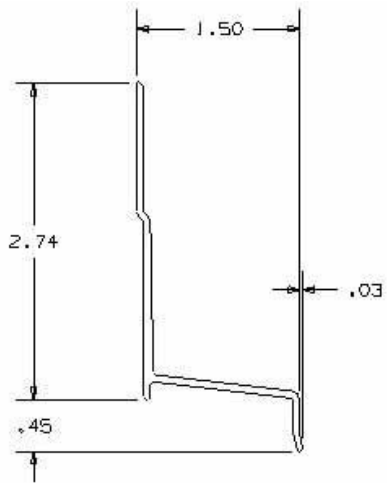


## SureSill™ Product Specification/Description



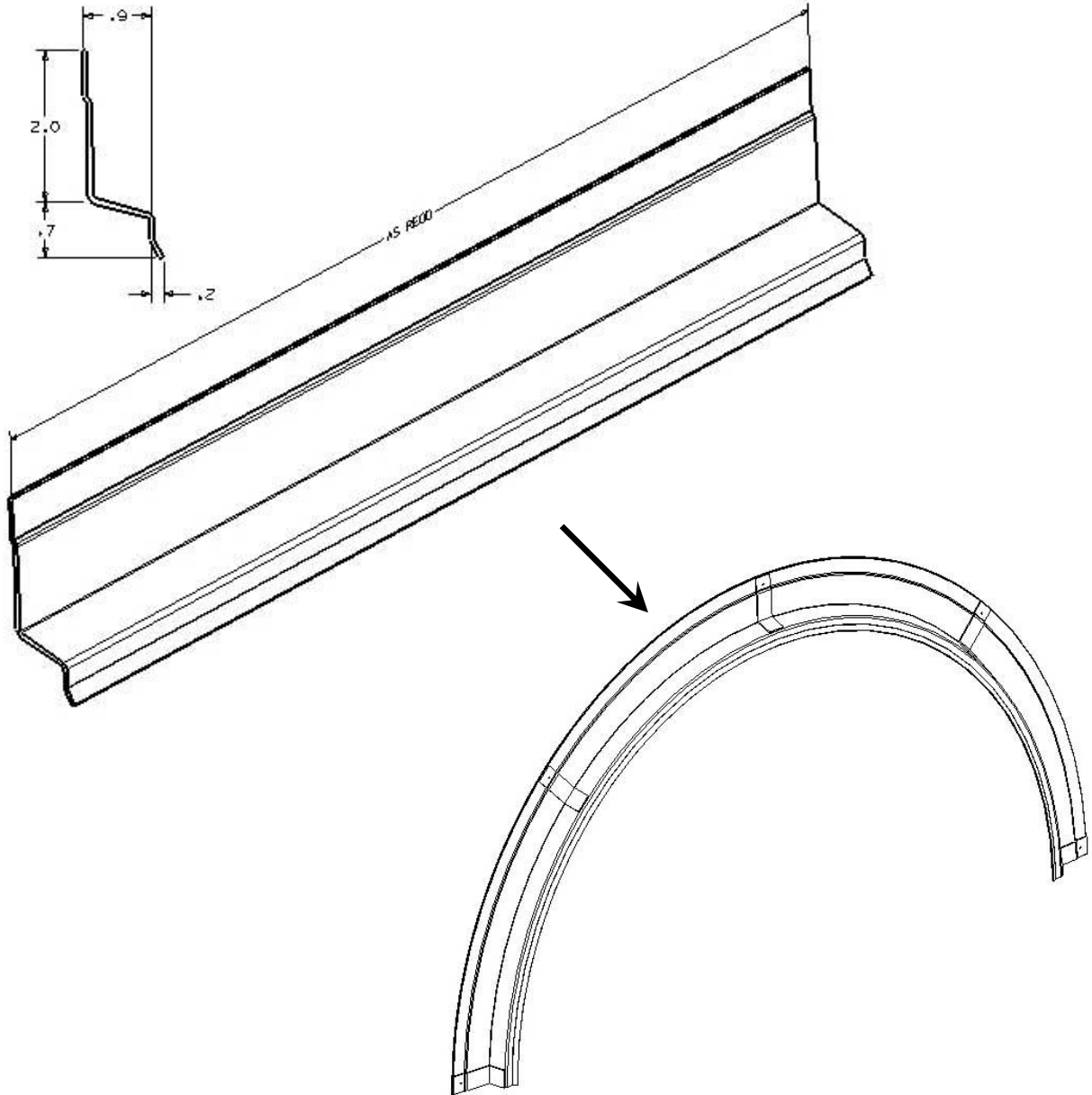
**HeadFlash-Flex™ 1-3/8"**

Suresill, Ltd. owns any and all intellectual property rights embodied in this document, including patent rights, copyrights, and trademark rights, and no license of any intellectual property right is intended, nor should any license be implied, as a result of the receipt of this document.

SureSill, HeadFlash and HeadFlash-Flex are Patent Pending Technologies made only by Suresill, Ltd. SureSill™, HeadFlash™, HeadFlash-Flex™, Wet-R-Dry™, and DrainShield™ are the exclusive trademarks of SureSill, Ltd.  
© Copyright SureSill, Ltd. 2004 - 2007. All rights reserved.

20110601

## SureSill™ Product Specification/Description



**HeadFlash-Flex™ 0.9"**

Suresill, Ltd. owns any and all intellectual property rights embodied in this document, including patent rights, copyrights, and trademark rights, and no license of any intellectual property right is intended, nor should any license be implied, as a result of the receipt of this document.

SureSill, HeadFlash and HeadFlash-Flex are Patent Pending Technologies made only by Suresill, Ltd. SureSill™, HeadFlash™, HeadFlash-Flex™, Wet-R-Dry™, and DrainShield™ are the exclusive trademarks of SureSill, Ltd.  
© Copyright SureSill, Ltd. 2004 - 2007. All rights reserved. 20110601