



Thank you for selecting JELD-WEN products. Attached are JELD-WEN's recommended installation instructions for Custom Wood and Fiberglass Doors. Read these instructions thoroughly before beginning. They are designed to work in most existing applications, however, existing conditions may require changes to these instructions. If changes are needed, they are made at the installer's risk. For installations other than indicated in these instructions, contact a building professional. To adequately protect your door, please refer to "Appropriate Protection for Exterior Doors" for information on protection requirements at www.jeld-wen.com/resources. Areas such as Florida and the Texas TDI region have different anchoring requirements based on product certification. For information on specific products, visit www.floridabuilding.org or www.tdi.texas.gov and follow the anchoring schedule given in the drawings for the product instead of the anchoring schedule in this document.

Newer construction methods have led to an increase in air and water tightness in buildings. This frequently leads to negative air pressure inside the house, which can draw water through very small openings. Our installation method integrates the window with the weather barrier of the structure (typically building wrap).

Not all door types may be installed into every wall condition in all areas. Consult your local building code official for applicable building codes and regulations. Local building code requirements supersede recommended installation instructions.

Please Note! Doors must be installed square, level and plumb and on a flat surface (without twist or warp). We also recommend that all components be finished prior to installation. See our recommended

finish maintenance instructions at www.jeld-wen.com/resources. Poor installation or finish may result in denial of warranty claims for operational or performance problems.

Note to Installer: Provide a copy of these instructions to the building owner. By installing this product, you acknowledge the terms and conditions of the limited warranty as part of the terms of the sale.

SAFETY AND HANDLING

SAFETY

- Read and fully understand ALL manufacturer's instructions before beginning. Failure to follow proper installation and finishing instructions may result in the denial of warranty claims for operational or performance problems.
- Do not work alone. Two or more people are required. Use safe lifting techniques.
- Use caution when handling glass. Broken or cracked glass can cause serious injury.
- Wear protective gear (e.g. safety glasses, gloves, ear protection, etc.).
- Operate hand/power tools safely and follow manufacturer's operating instructions.
- Use caution when working at elevated heights.
- If disturbing existing paint, take proper precautions if lead paint is suspected (commonly used before 1979). Your regional EPA (www.epa.gov/lead) or Consumer Product Safety Commission offices provide information regarding regulations and lead protection.

- **WARNING:** Drilling, sawing, sanding or machining wood products generates wood dust, a substance known to the State of California to cause cancer. Use a respirator or other safeguards to avoid inhaling wood dust.

MATERIALS AND PATIO DOOR HANDLING

- Heed material manufacturer's handling and application instructions.
- Protect adhesive surfaces from dirt, moisture, direct sunlight and folding over onto themselves.
- Handle in vertical position; do not drag on floor.
- Do not put stress on joints, corners or frames.
- Store door in dry, well-ventilated area to allow air circulation.
- Protect from exposure to direct sunlight during storage.
- Install only into vertical walls and when conditions and sheathing are dry.

IF INJURY OCCURS, IMMEDIATELY SEEK MEDICAL ATTENTION!

NEEDED MATERIALS AND TOOLS

Installation Materials Required:

Note! JELD-WEN exterior window and door products should be installed in accordance with JELD-WEN's recommended installation and flashing directions, which are shipped with the products or can be found on our website: www.jeld-wen.com. Note that alternative installation methods and flashing systems may be utilized at the installer's or owner's discretion and, in such situations the installation should be done in accordance with the flashing manufacturer's instructions. Follow all material manufacturer's instructions for proper use and compatibility. When using flashing, spray adhesive/primer, sealant and foam products, we recommend using the same manufacturer and verifying compatibility. It is the End User's responsibility to determine if dissimilar materials are compatible to the substrates in the application.

- Shims
- 1½" 6d finish nails
- 3" 12d finish nails

- 3" corrosion resistant screws.
- Sealant: We recommend OSI® QUAD® Max Sealant or equivalent. This can be used in any application and can be painted or ordered in a color matched product, if desired.
- Exterior waterproof construction adhesive.
- Polyurethane low expansion Window and Door foam: We recommend OSI® QUAD® Foam or equivalent.
- Wood matched putty stick.
- Sill pan: It is best practice to use a pre-formed, rigid, positively sloped, pvc pan that provides continuous support. **We recommend using SureSill™ Sloped Sill Pan™, manufactured by SureSill™, Ltd.** An alternative would be a non-sloped pre-formed sill pan or one that can be fabricated on site from metal or vinyl sheet material with the proper tools.
- Set of flashings.

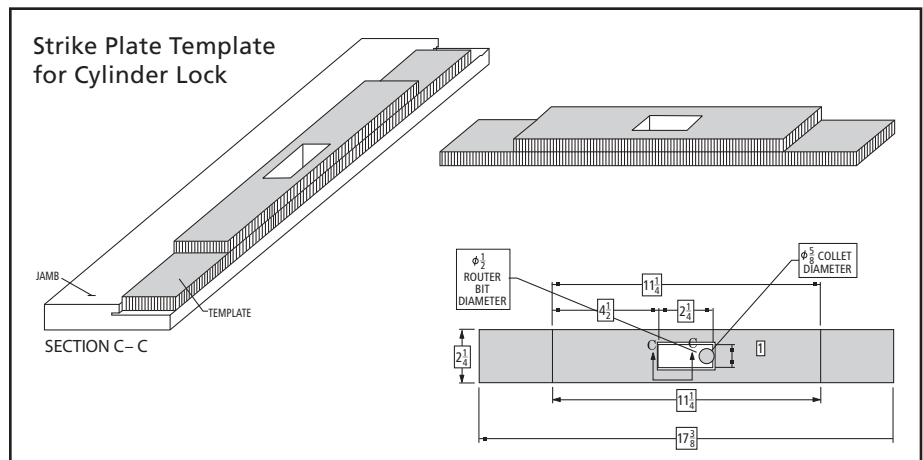
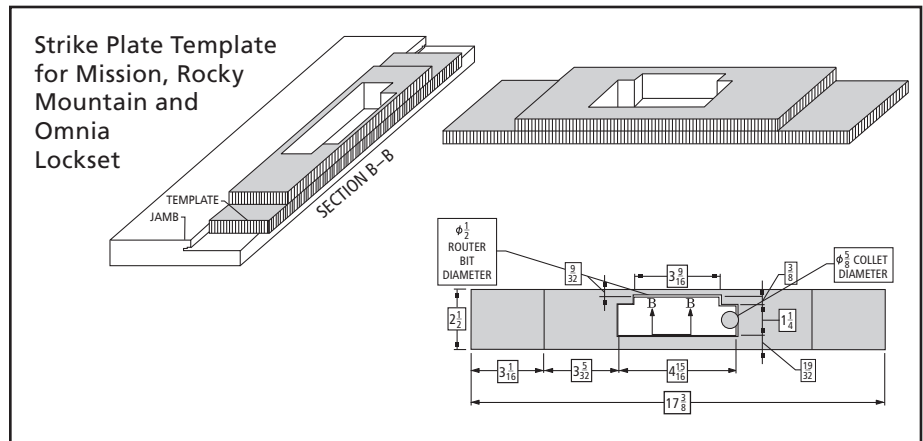
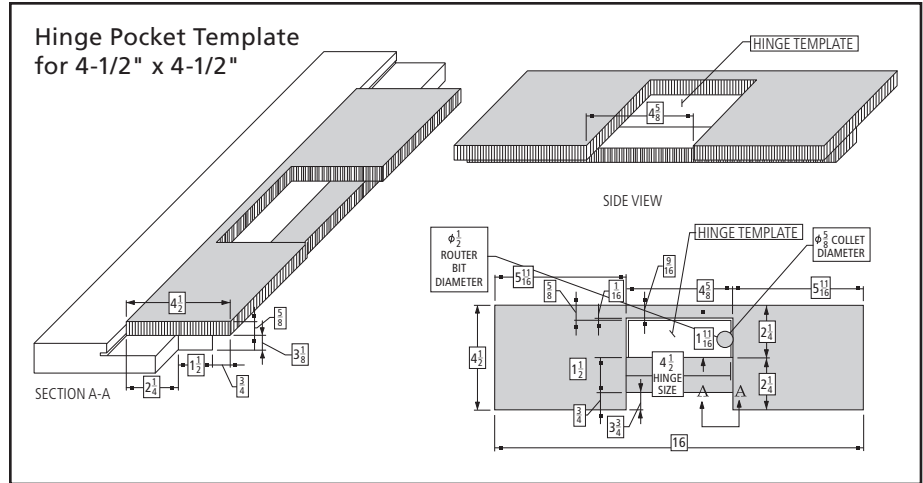
- 4", 6", or 9" (as required by local code and window configuration) wide self-adhered flashing: We recommend OSI® QUAD® Butyl Flash Tape or equivalent.
- Spray adhesive/primer for self-adhered flashing. Such as Loctite® 300 or equivalent. Follow manufacturer's instructions for application methods.
- Backer rod 1/8" larger than the widest portion of the gap (used in conjunction with sealant bead).

Tools Required:

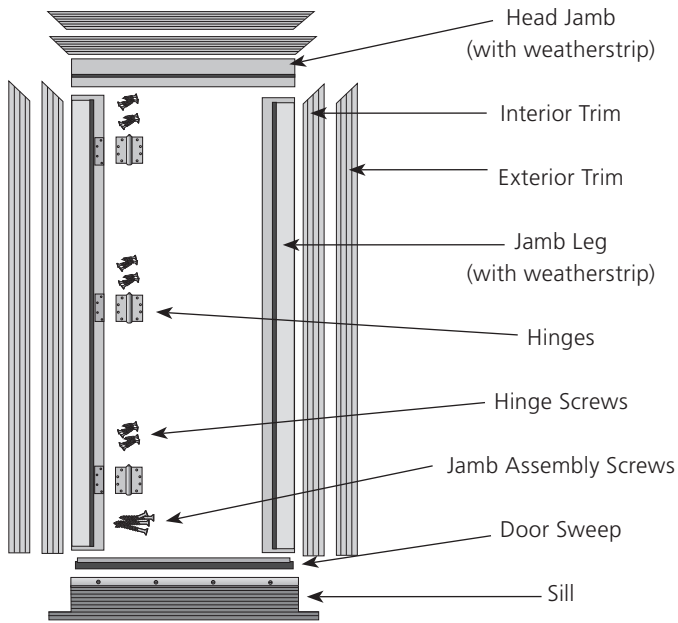
- 3-foot level
- 6-foot level
- Tape measure
- Hammer
- Finish nail gun
- Nail set
- Duckbill pliers
- 1/8" drill bit
- Caulking gun
- Safety glasses
- Miter saw
- 1" chisel or router
- Bar clamp
- Screw gun
- Utility knife

Composite Jamb Routing and Installation Tips

1. Fastener and shim spacing should be set at 16" or less.
2. To fasten the jamb parts to the stud wall, pre-drill and countersink for at least 2" fastening screws under the area covered by the weatherstrip.
3. Make sure all countersunk holes are deep enough to accommodate the screw heads and avoid over-torquing when driving. The composite jamb material has 10 times the holding power of wood and for that reason we recommend that a light coat of screw lube or wax be applied to all hinge and assembly screws prior to driving.
4. Indicate shims to fasten through. Make sure to locate one set of shims under each hinge.
5. At least one screw per hinge should be long enough to run through shim into the supporting wall stud.
6. For radius systems, make especially sure that the unit is sitting flat on a level floor and shim the head area with the door in place to insure that the factory radius is maintained and that there is an even reveal around the door. An uneven floor may make it difficult to maintain the radius without trimming one jamb leg or shimming the sill.
7. Finish nails are best driven with a compressed air nail gun. Due to the density of the material, it may be necessary to use slightly more air pressure than one would use for softwood. The pressure required should be similar to that needed for hard, dense woods such as oak. As a cautionary note, due to the nail holding power of the composite materials, it may be difficult to extract a mis-fired nail. Should that happen to occur, consider cutting the nail off and driving any remaining portion beneath the surface.
8. Although it is possible to prepare for a hinge or strike plate with a chisel, we strongly recommend that the strike prep be done with a router, collet and jig. If necessary, the corners can be easily squared with a chisel. The images show three examples of templates used with 1/2" bits and 5/8" collets for common hinge and strike plate applications. The few minutes it takes to fabricate the jig out of 5/8" plywood or MDF will be more than offset after just a couple doors.



Custom Door System Overview

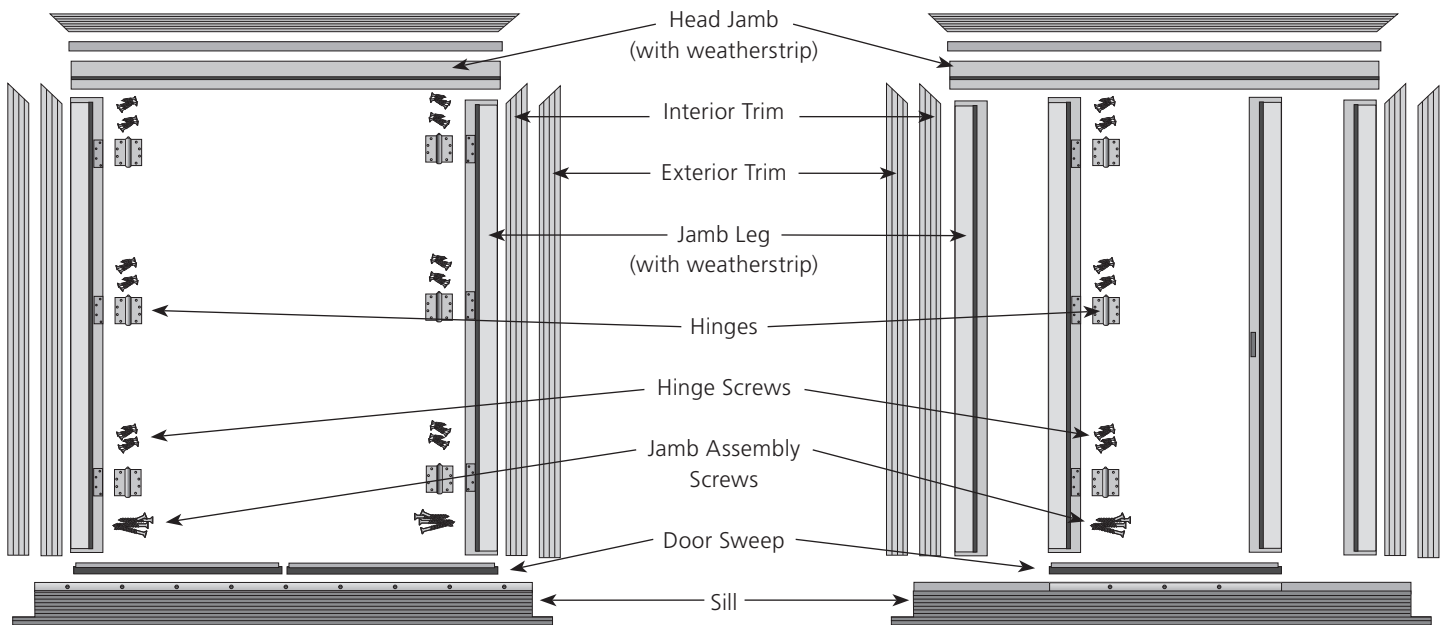


System 1

Check to ensure that all parts listed on the jamb boxes are present and in good condition *before* removing existing entry or beginning to install the new unit.

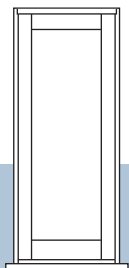
Please Note:

Check for hinges, door sweep, trim, jambs, sill and screws.

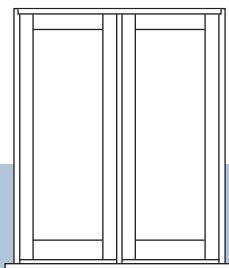


System 2

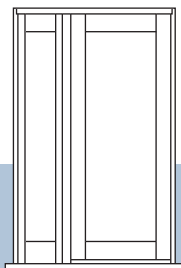
Systems 3, 4, 5



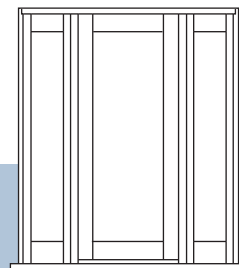
System 1
Single Door



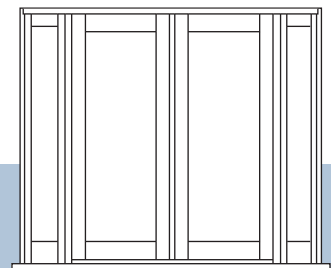
System 2
Pair of Doors



System 3
Door & Sidelight

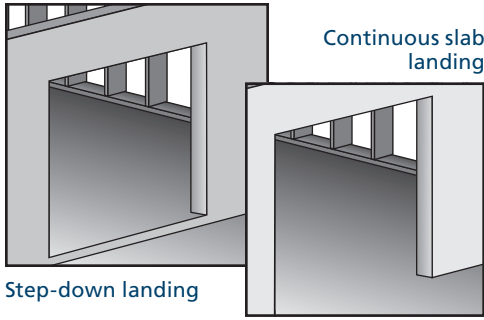


System 4
Door & Pair of Sidelights



System 5
Pair of Doors & Pair of Sidelights

Prepare the Rough Opening



Step-down landing

Continuous slab landing

These instructions cover two door sill conditions: the **step-down landing** and the **continuous slab landing**. The installation methods vary slightly between the two landing types.

Prepare the rough opening. The rough opening is to be 3/4" wider and 3/4" taller than the net outside jamb dimension of the unit. Check floor for level (measurements must be within 1/8"). Check walls or studs for straightness (measurements must be within 1/4") and plumb (measurements must be within 1/8"). Correct before installing.

FOR RETROFIT INSTALLATIONS

After removing the old door, remove sufficient cladding (siding, stucco, etc.) to expose enough intact building wrap to properly seal the window to the opening. If damaged, apply new building wrap in shi lap manner. Verify the rough opening framing is structurally sound. Contact your local waste management entities for proper disposal or recycling of products being removed.

For doors with a curved transom top, see **diagram 1 "Door with Curved Transom Top"**. Rough opening must be level (measurements must be within 1/8") before starting; adjust as needed.

Diagram 1. Door with Curved Transom Top

- Ensure framing is sufficient around transom perimeter to allow exterior trim to be nailed every **8"** to the structure.
- Prepare rough opening in same manner as for standard door (**Fig. A**).
- Install transom top in same manner as for regular door except for the following:
 - Apply flashing support in short **6"-12"** sections around the curved perimeter.
 - Apply conformable self-adhesive flashing to backside of flashing support and frame.
 - Apply 6" wide conformable self-adhesive flashing onto flashing support, sheathing, and building wrap around curved edge (**Fig. B**).

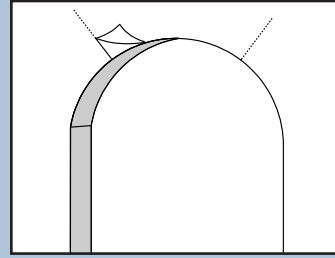


Fig. A Cut back building wrap

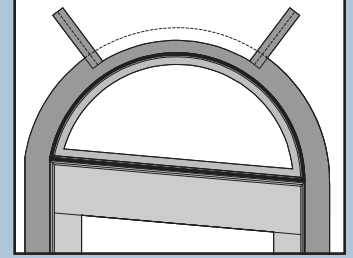


Fig. B Conformable flashing

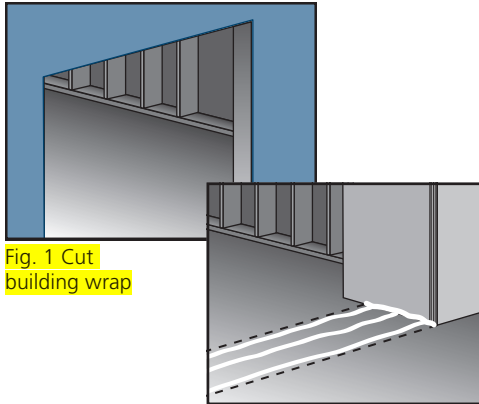


Fig. 1 Cut building wrap

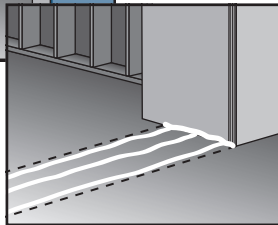


Fig. 2 Apply sealant across sill

Install Sill Pan

1. Clean rough opening and surrounding sheathing with a clean, dry cloth, beginning at the top.
2. Trim building wrap flush with rough opening on header and sides; and sill edge if door has a rise. Apply five **3/8"** beads of sealant across the sill as follows (**Fig. 2**):
 - One **1/2"** from the interior and exterior edge.
 - One across the center of the sill.
 - One on each side where the jambs meet the floor.

The sill can be prepared using one of two methods: We recommend SureSill™ Sloped Sill Pan™ available from SureSill at www.suresill.com, building supply stores, and some manufacturing locations. As an alternative, a sill pan can be fabricated on site, by following the instructions below. If installing a SureSill™ sill pan, follow SureSill's instructions for installation.

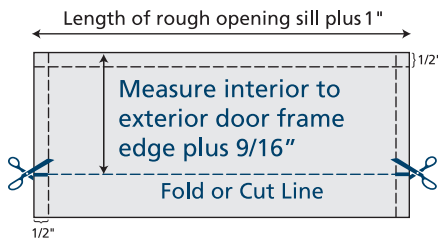


Fig. 3 Sill pan template

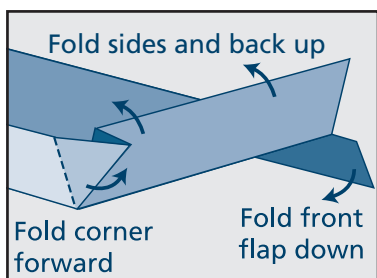
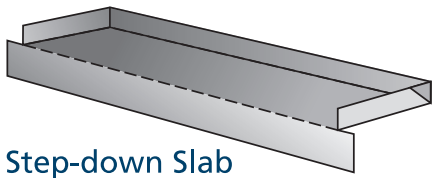


Fig. 4 Fold sill pan

Prepare Sill Pan - The sill pan is a three-sided box made of plastic sheet material that sits **in on** the rough opening. It is designed to catch water that infiltrates the rough opening and divert it to the outside. This prevents damage from water collecting on the rough opening sill. Door installations that have a step-down landing (as opposed to a door that sits directly on a continuous slab) have slightly different sill pans.

1. Prepare the sill pan as follows (**Fig. 3**):
 - For a 2" x 4" wall, the width of the plastic sheeting should be at least 6".
 - For a 2" x 6" wall, the width of the plastic sheeting should be at least 9".
 - The length should be determined by measuring the length of the rough opening plus 1".
2. Crease lines in sill pan using a straight edge as follows (**Fig. 3**):
 - Lightly crease a line inset 1/2" along both ends and one side of the plastic sheeting.
 - Measure the width of the door frame (not including the brickmould), and add 9/16".
 - Take this distance and measure out from the back side; crease a line the length of the plastic sheeting.
3. Cut 1/2" in on both ends of this line (**Fig. 3**).
4. Fold the sill pan as follows:
 - Fold the three 1/2" sides up; use duckbill pliers to fold corners to outside of pan on short sides (**Fig. 4**).

Prepare the Rough Opening - Continued



Step-down Slab

Fig. 5 Finished sill pan for step-down landing

- For door with step-down landing: fold down at remaining crease line (**Fig. 5**).
- Trim height of fold-down to rise of step if necessary.
- For door on continuous slab, cut along the remaining crease line.

5. Place sill pan in rough opening so the open side faces the exterior.

NOTE: Door sits inside sill pan; back dam of the sill pan should just clear the back edge of door sill when it is placed in the rough opening.

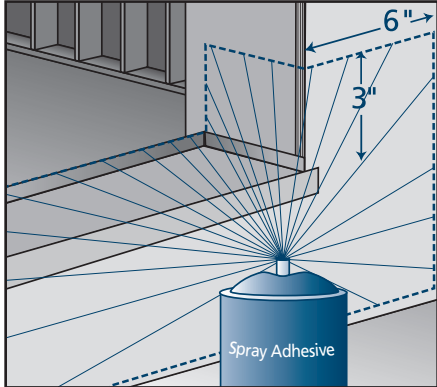


Fig. 6. Apply adhesive spray

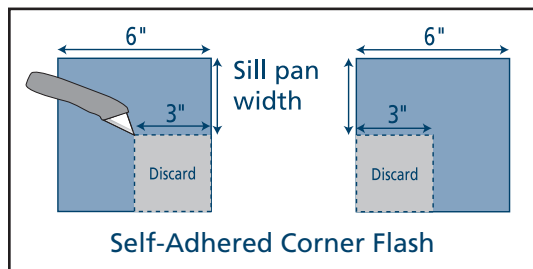


Fig. 7 Cut self-adhered flashing

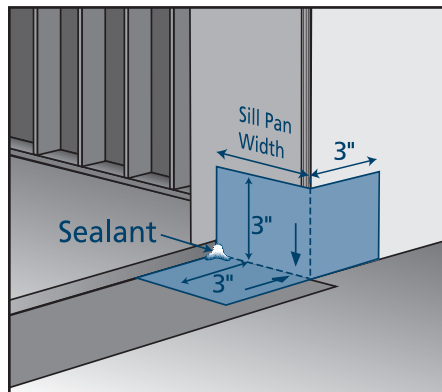


Fig. 8 Apply self-adhered tape (continuous slab)

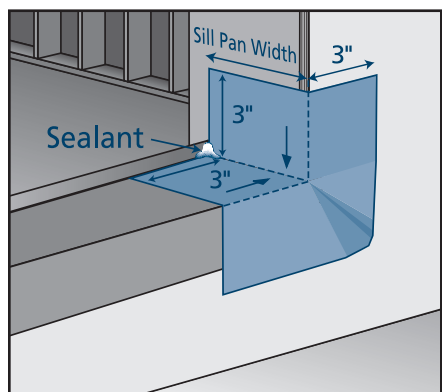


Fig. 9 Apply self-adhered flashing (step-down landing)

1. Coat the sill pan with spray adhesive extending 3" up both side jambs; spray the vertical face of the rise, if applicable, as shown in **Fig. 6**. (Follow manufacturer's instructions for tack time.)
2. Apply self-adhered flashing to the sill pan floor as follows:
 - Cut adhesive flashing to sill length; for continuous slab, cut to width of sill pan.
 - Remove backing paper.
 - Carefully apply to rough opening sill, flush with back dam of sill pan and fully covering the bottom of the sill pan.
 - Fold flat onto rise (if applicable) or cut to sill pan width if on continuous slab.
 - Smooth out any bubbles or creases with a j-roller.
3. Apply self-adhered flashing to lower corners as follows:
 - Cut two pieces (one for each corner of the rough opening sill) 6" x distance between the exterior and the interior edge of the door frame + 3".
 - For doors on continuous slab, cut out the inside corner as shown in **Fig. 7**:
 - Remove paper backing from one piece.
 - Adhere to one bottom corner tightly at 90° with 3" up the side and wrap flashing onto wall sheathing (**Fig. 8**); do not stretch or tear flashing; eliminate as many wrinkles as possible.
 - For step-down landings:
 - Remove paper backing from one piece.
 - Adhere to one bottom corner tightly at 90° with 3" up the side and overlap onto the vertical face of the rise (**Fig. 9**); do not stretch or tear flashing; eliminate as many wrinkles as possible.
 - Press self-adhered flashing tight into corners with j-roller.
 - Repeat in opposite bottom corner.
4. Seal back corners of sill pan with sealant (**Fig. 9**).

Assemble Door Jamb Components

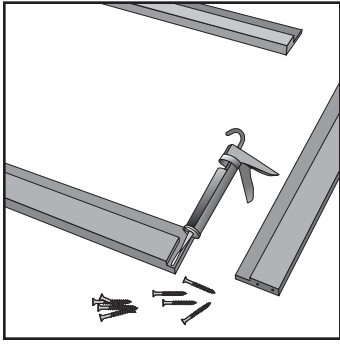


Fig. 10

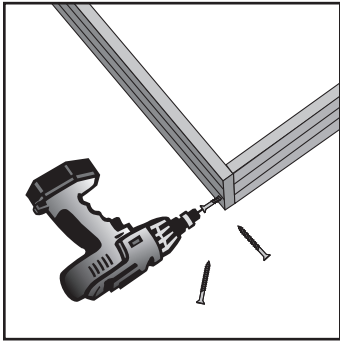


Fig. 11

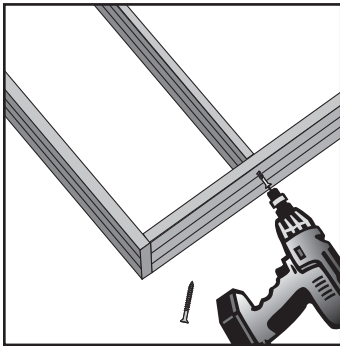


Fig. 12

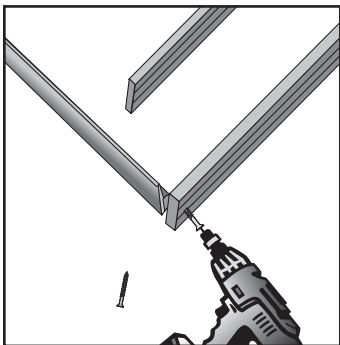


Fig. 13

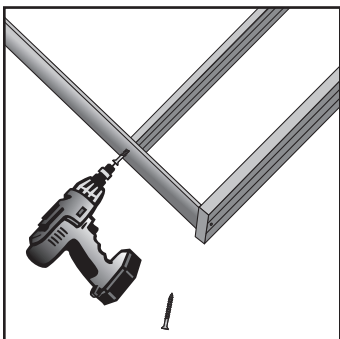


Fig. 14

1. Lay jamb components out on a flat protective surface prior to assembly (refer to photos on page 1):
 - A. SYSTEMS 1 & 2 – Two jamb legs, one header, one sill.
 - B. SYSTEM 3 – Two jamb legs, one mull post, one header, one sill.
 - C. SYSTEMS 4 & 5 – Two jamb legs, two mull posts, one header, one sill.
2. Prior to assembly, apply a light bead of caulk along all connecting surfaces of jamb components for sealing and adhesion (**Fig. 10**).
3. Attach and fasten jamb legs to the head jamb, using 1½" screws into the pre-drilled holes on the jamb leg. Make sure the edges of the head and side jamb line up and are even with each other. Snug screws so corners are square and tight, with no gaps (**Fig. 11 & Fig. 12**).
4. Attach and fasten jamb legs to sill using 1½" screws into pre-drilled holes on outside jamb (**Fig. 13**).

SYSTEMS 3, 4 & 5 – Attach mull post into notch at sill. Fasten using 1½" screws into pre-drilled holes from bottom of sill into mull post (**Fig. 14**).
5. Clean up any excess caulk.

Install Jamb System

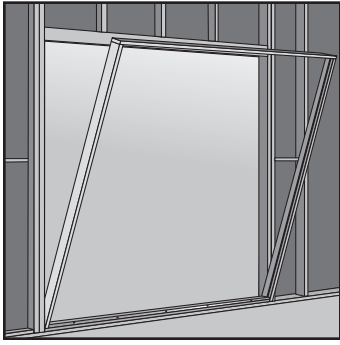


Fig. 15

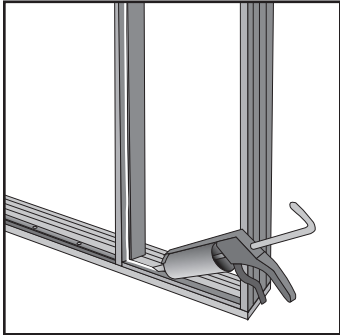


Fig. 16

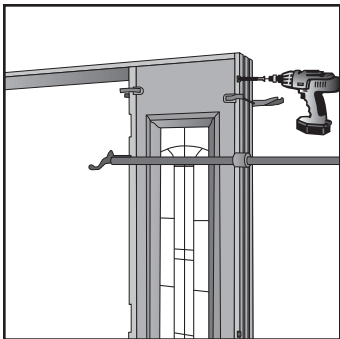


Fig. 17

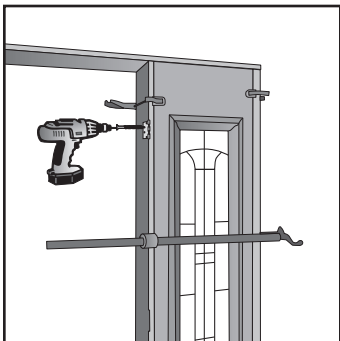


Fig. 18

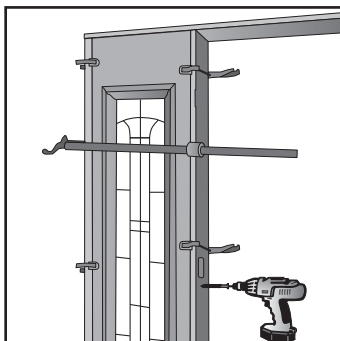


Fig. 19

1. With jamb system assembled, tip into rough opening, checking for good fit (**Fig. 15**). Mark exact location of sill on floor for construction adhesive and future fit, then remove unit.
2. Installation of sidelights (if not applicable, continue to Prepare Jamb System for Installation on page 11).
 - A. Sidelight top, bottom and side edges must be sealed before installation into the jamb.
 - B. Insert sidelight into the jamb in the direction as marked from the factory. Sidelight for hinge side has pre-drilled pilot holes for hinge screws. Check for fit, then remove.
- C1. For Custom Fiberglass Doors Only:** Insert weatherstrip in the kerfed area around the sidelight of the jamb. Once the door is completely installed, the finished trim strip may be applied with a 1½" 6d finish nail. (See **Fig. 16.1** for details).
- C2. For Custom Wood Doors:** To weatherproof sidelights, apply a bead of caulk along the inside rabbeted corner the entire length of the sidelight jamb leg, sidelight mull post, sidelight head jamb, and sidelight sill (**Fig. 16**).
- D. Insert sidelights back into jamb.
- E. Use bar clamps to tighten jambs to sidelight.
- F. Anchor jamb leg to sidelight through back of rabbeted portion of jamb with 1½" screws at top, bottom and center. More anchor screws may be necessary on larger sidelights (**Fig. 17**).
- G. Anchor hinge side mull post to sidelight using two 2" brass screws through hinge (**Fig. 18**).
- H. Anchor strike side mull post to sidelight, using a 1½" screw under lock strike location (**Fig. 19**). Anchor top of mull post to sidelight using two 1½" finish nails approximately 2" down from head jamb through rabbeted face of jamb. Anchor bottom of mull post to sidelight using two 1½" finish nails approximately 2" up from sill into rabbeted portion of mull post.

NOTE:

No screw holes or nail locations are marked on the strike side mull post.

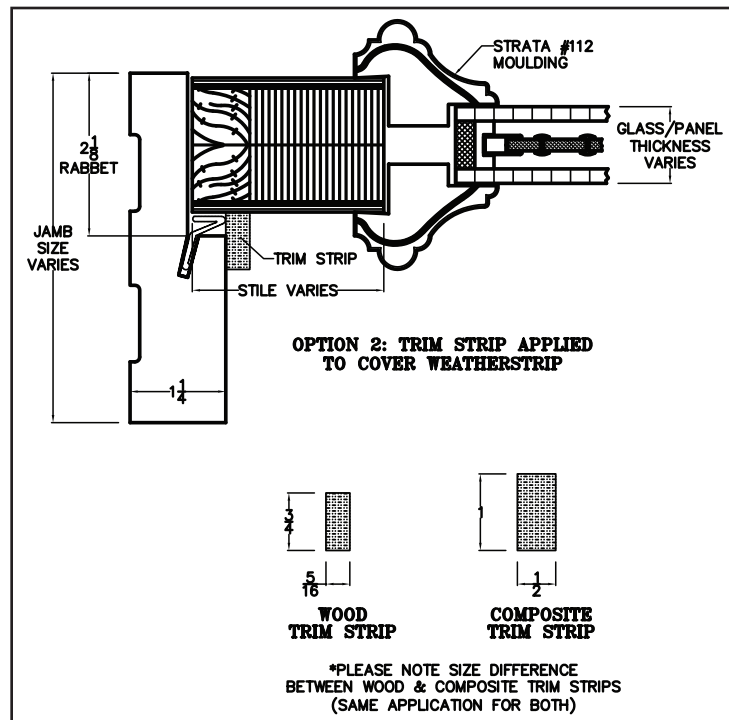


Fig. 16.1

Prepare Jamb System for Installation

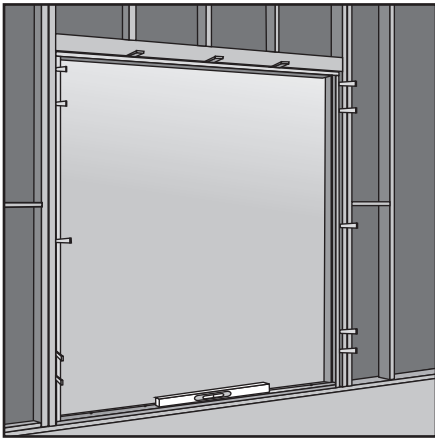


Fig. 20

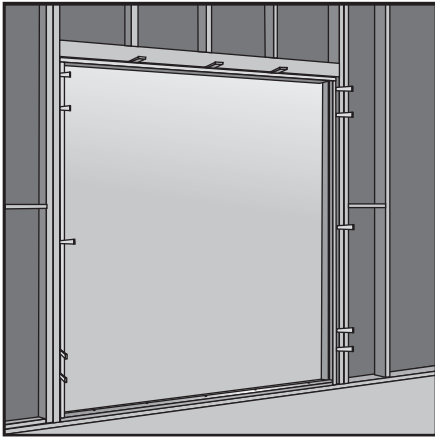


Fig. 21

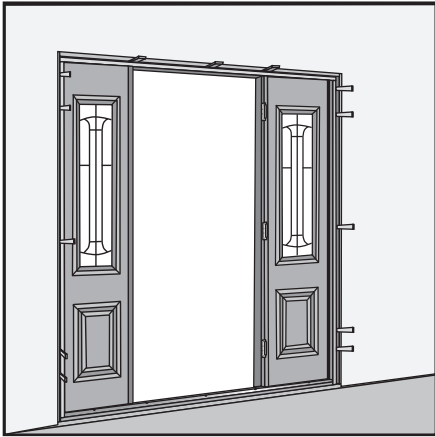


Fig. 22

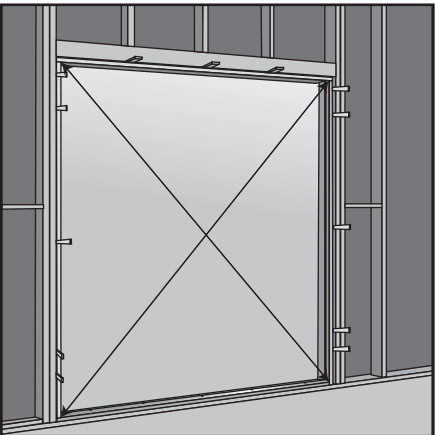


Fig. 23

Jamb and Door Installation

1. Tip jamb unit into rough opening, paying close attention to prior marking for sill location.
2. CHECK SILL FOR LEVEL. Correct before installing (**Fig. 20**).
3. Checking jambs for straightness, level and plumb, apply shims from interior and exterior of house as follows: (These numbers and locations of shims are meant only to serve as a minimum requirement. Depending on the application and size of the unit, more shims may be required.)

A. SYSTEMS 1 & 2 (**Fig. 21**); shim as follows:

- Shim the jambs as follows:
 - Behind each hinge.
 - At the top and bottom of each jamb (at the pre-drilled holes behind the weatherstrip).
 - Behind the strike plate.
 - Head jamb at center and 6" from each end.
 - For 8' doors, more shims are needed at the jambs.

B. SYSTEMS 4 & 5 (**Fig. 22**); additional shimming as follows:

- On the sidelight jamb leg at approximately 2" and 30" from both the top and bottom of the frame.
- Above the head jamb at the center of the door(s) and directly above the mull.

C. SYSTEM 3; additional shimming as follows:

- On the sidelight jamb leg and the strike or hinge jamb leg at approximately 2" and 30" from both the top and bottom of the frame.
- Above the head jamb 6" from each corner, at the center of the door and directly above the mull.

NOTE:

COMPOSITE FRAME INSTALLATION

RECOMMENDED PRACTICES FOR JAMB INSTALLATION

- A. Fastener and shim spacing should be set at 16" or less.
- B. Pre-drill and countersink for 2" fastening screws under the area covered by the weatherstrip.
- C. Index the shims to fasten through and make sure to locate one set of shims under each hinge.
- D. At least one screw per hinge should be long enough to run through shim into the supporting wall stud.

Fastening casing and brickmould should be the same as for any wood jamb. Any strike prep or other machining can be made with traditional tools, etc.

4. Cross side jambs with string, checking for square, and plumb to ensure no rack. Adjust shims as necessary (**Fig. 23**).

Attach Jamb to Studs

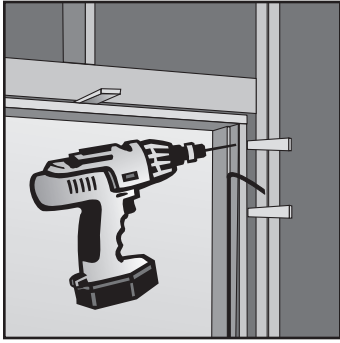


Fig. 24

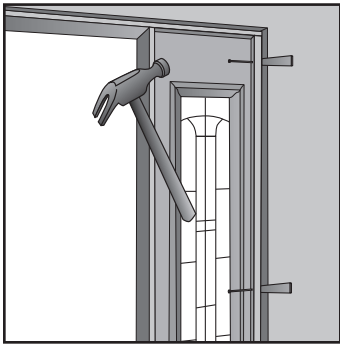


Fig. 25

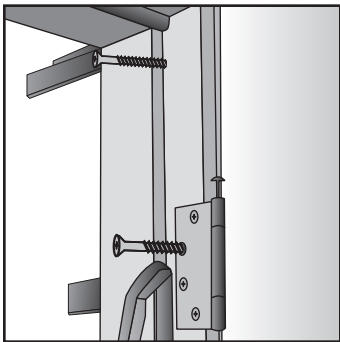


Fig. 26

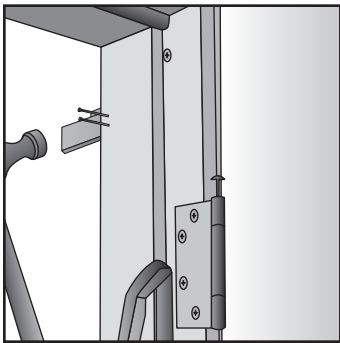


Fig. 27

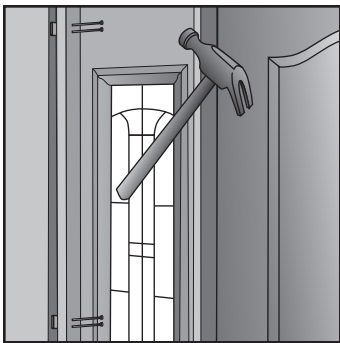


Fig. 28

1. Temporarily fasten jamb to studs:
 - A. SYSTEMS 1, 2 & 3 - Fasten using 3" screw through top and bottom pre-drilled anchor holes behind weatherstrip (**Fig. 24**).
 - B. SYSTEM 4 - Tightly installed shims should be enough to hold unit.
 - C. SYSTEM 5 - Fasten by partially driving one 3" finish nail through both the top and bottom shim of the sidelight jamb legs (**Fig. 25**).

2. Attaching jamb to studs

NOTE:

Apply lubricant (wax or bar soap) to screw threads before driving screws.

A. SYSTEMS 1 & 2:

- Fasten jamb leg to stud by using 3" corrosion resistant screws through both top and bottom pre-drilled anchor holes behind weatherstripping on hinge side jamb, drive two 2" brass finish screws into stud through hinge (**Fig. 26**). If applicable, drive 3" corrosion resistant screws through the jamb at strike plate location. Fasten head jamb by driving 3" screw through pre-drilled anchor holes behind weatherstrip.
- Check unit for square, plumb and even door reveal.
- If necessary, drill and countersink holes behind weatherstrip then fasten with 3" corrosion resistant screws at additional locations on jamb legs.
- At approximately the same level as the anchor screws and hinges, drive two 3" finish nails through face of jamb into stud to help secure jamb (**Fig. 27**).

NOTE:

Screws and nails must go through the shims.

B. SYSTEMS 4 & 5:

- Anchor jamb legs by driving a minimum of two 3" finish nails through the exterior face of the jamb into the stud at both 2" and 30" from the top and bottom of the unit (**Fig. 28**). Refer to **Fig. 22** for nailing locations. Additional anchoring locations may be necessary depending on size of the unit.
- Anchor head jamb by driving two 3" finish nails through the face of the jamb into the stud at the center of each door and sidelight at the shim locations.

IMPORTANT:

Nails must go through the shims.

C. SYSTEM 3:

- Attaching jamb to stud is combination of the two above procedures.

Finishing Installation

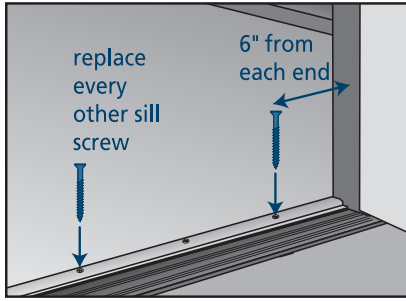


Fig. 29

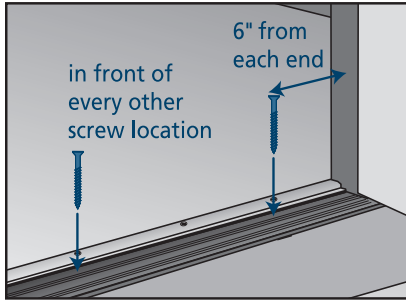


Fig. 30

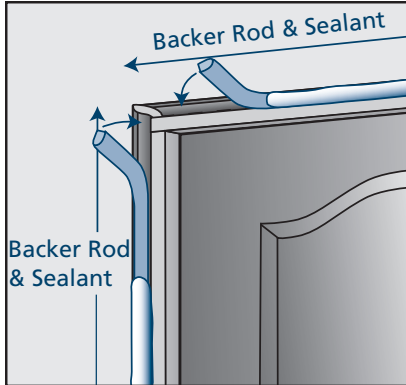


Fig. 31

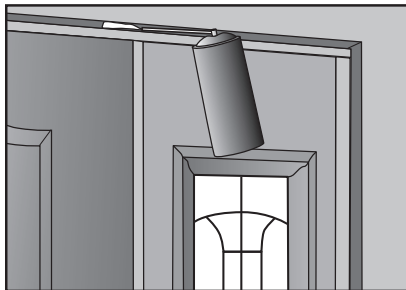


Fig. 32

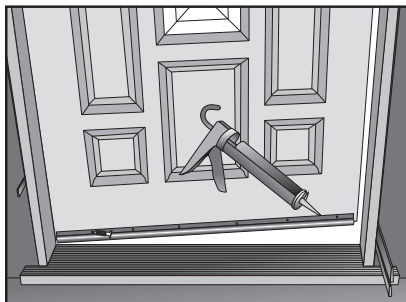


Fig. 33

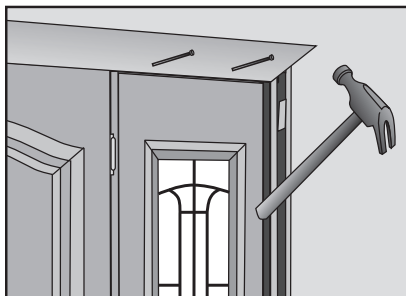


Fig. 34

- Structurally secure sill as follows:

NOTE:

For wood framing, use #8x3" corrosion resistant screws. For concrete, use 3/16" x 2½" self-tapping concrete screws.

- Coat threads of screws with sealant before insertion into hole.
- Drill appropriate pilot holes as necessary.
- Cover top of screws with sealant.

- If door has a **traditional threshold**, secure as follows (**Fig. 29**):

- For single panel swing doors, place two structural screws 6" from each end.
- For multiple panel doors, replace the existing screws at each end of the threshold and every other existing screw in between with structural screws.

- Some inswing doors require an adjustable threshold; if **adjustable threshold** (**Fig. 30**):

- For single panel swing doors, place two structural screws 6" from each end.
- For multiple panel doors, place a screw in front of every other screw location into the sill.

- Hang the door slab in the frame by screwing the hinges in place on the frame. Assure proper fit.
- On the exterior, apply a continuous sealant joint between the frame and the rough opening at the jambs and header using backer rod and sealant (**Fig. 31**).
- On the interior apply low pressure foam between the outside of jamb and the stud to seal any gaps (**Fig. 32**).

NOTE:

Follow manufacturer's instructions for proper low pressure foam usage.

- Installing hardware:

- Install the lock set, following manufacturer's instructions. Use chisel or router to mortise out for strike plate on jamb or astragal.
- Install the door sweep onto the bottom of the door. Attach using 1/4" screws on face of door sweep. Run a bead of caulk on the top exterior outer edge to prevent water from entering the sweep (**Fig. 33**).

- Installing exterior and interior trim

- Trim any sealant or shims protruding from the jamb.
- Measure, cut and set one trim leg. Reveal of the trim to be approximately 3/16" from inside edge of jamb. Measure both ends of head trim, cut, if necessary, then set (**Fig. 34**). Measure, cut and set other trim leg.

IMPORTANT:

Trim is intentionally left long for more flexibility in the field. It may be necessary to cut to length and miter depending on your application.

- Anchor the casings to jamb with 1½" or 3" finish nails every 12" to 18".
- JELD-WEN recommends running a bead of caulk around the edge of the exterior trim where it meets the wall.

- Fill all nail holes with a wood matched putty stick.

Finishing Installation

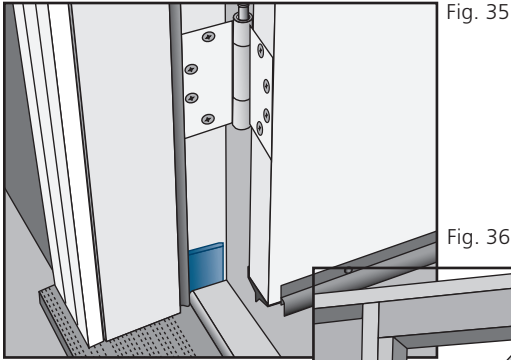


Fig. 35

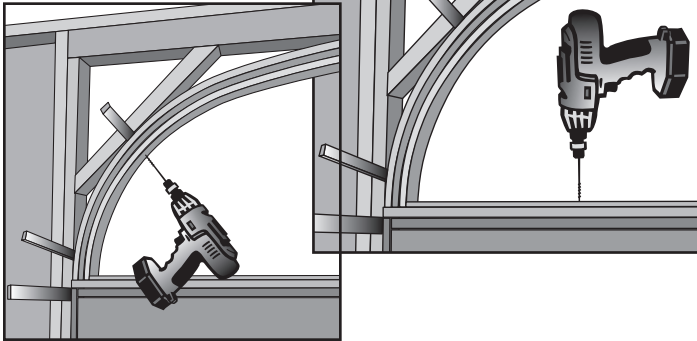


Fig. 36

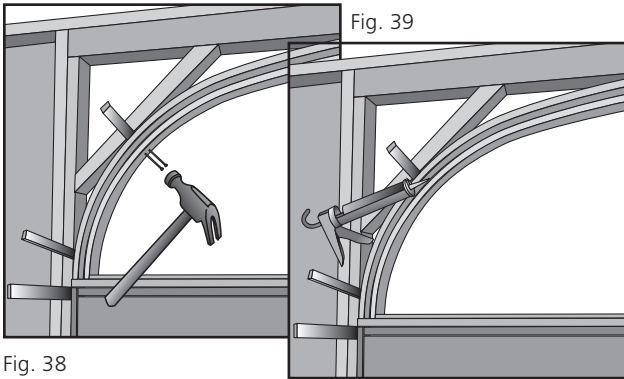


Fig. 37

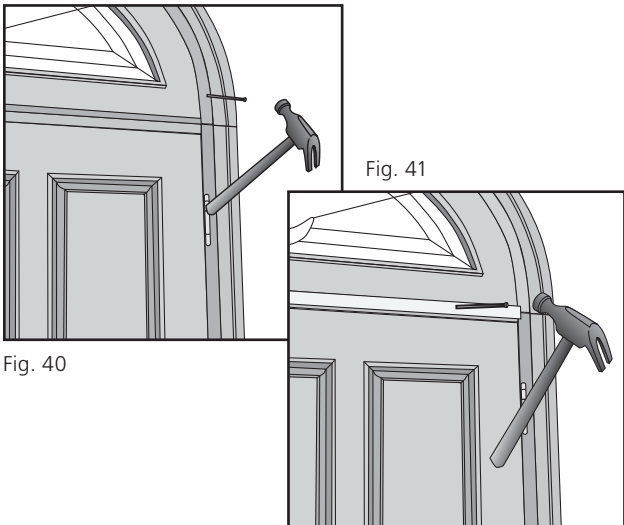


Fig. 38

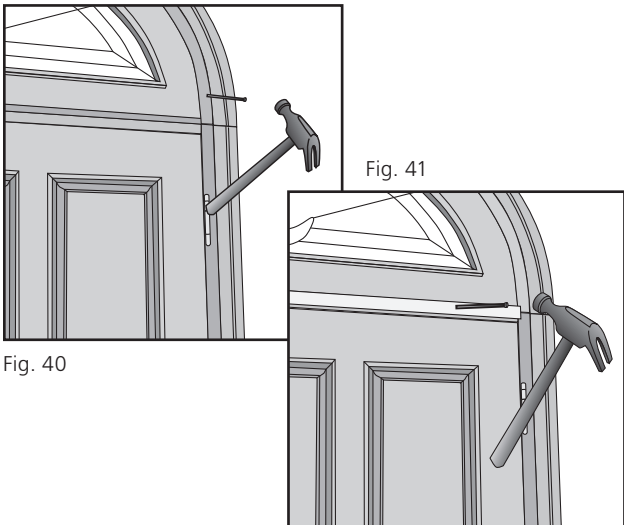


Fig. 39

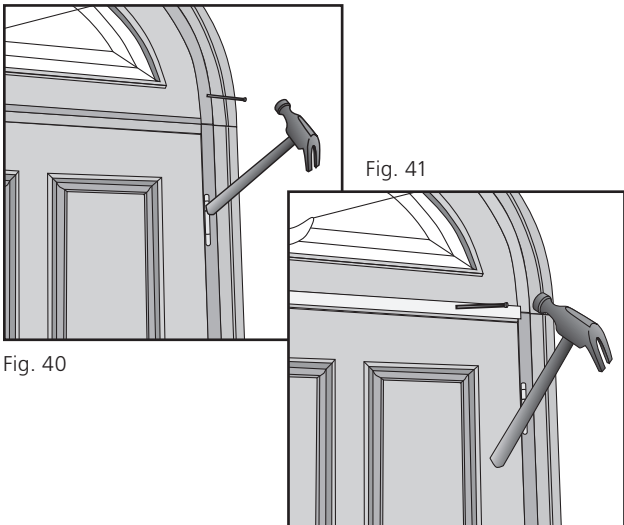


Fig. 40

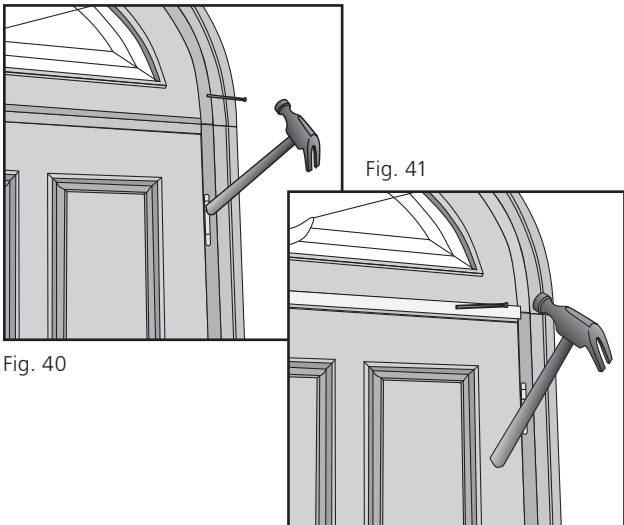


Fig. 41

8. JELD-WEN has included a set of 1¾" by 1¼" compression weatherstrip wedges. Install these at lower rabbeted corners of the jambs to help ensure a weathertight seal (**Fig. 35**).

9. Optional Transom Installation

- A. Run a generous bead of caulk on the top of the door head jamb.
- B. Set the transom jamb on the door head jamb.
- C. Drill countersunk pilot holes 12" from both ends and in the center of the rabbeted portion of the bottom transom jamb into the door head jamb.

IMPORTANT:

Stop the drill at 1¼" depth.

- D. Fasten transom jamb to head jamb with 1¼" screws into pilot holes (**Fig. 36**).
- E. Shim transom jamb approximately every 16" to 24".
- F. Drill countersunk pilot holes on the rabbeted portion of the transom jamb through the location of every shim (**Fig. 37**). Fasten the transom jamb to the studs through these pilot holes with 3" corrosion resistant screws.
- G. To secure the jamb to the studs at every shim, drive two 3" finish nails through the face of the jamb into the stud (**Fig. 38**).

NOTE:

Steps 8-11 only apply if the transom sash was not factory installed.

- H. Install transom sash to check for fit, then remove.
- I. Apply a bead of caulk along the inside corner of the rabbeted transom jamb (**Fig. 39**).
- J. Install transom sash.
- K. To secure transom sash to jamb, set quarter round stop and fasten with 1½" finish nails (**Fig. 40**).
- L. Measure, trim and set interior and exterior trim to transom jamb. Fasten trim to frame with either 1½" or 3" finish nails.

NOTE:

Trim is run long to allow more flexibility in the field.

- M. Measure cut and set mullion covers. Caulk and fasten with 1½" finish nails (**Fig. 41**).
- N. Fill all nail holes with wood matched putty stick.

Trouble Shooting

Fig. 42

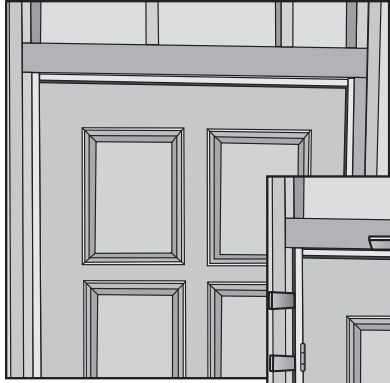


Fig. 43

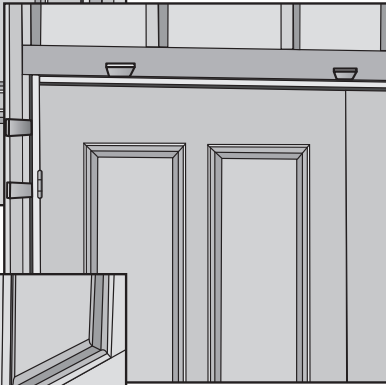


Fig. 44

Problem #1

Reveal between door and lock side jamb is too tight (**Fig. 42**).

Causes:

1. Hinge leaves not set flush into jamb and door.
2. Hinge leaves bent at knuckle, pushing door towards jamb.
3. Hinge side jamb over-shimmed at hinge locations, pushing door towards lock jamb.
4. Lock side jamb over-shimmed.
5. Door not anchored properly to stud at top hinge location.

Problem #2

Reveal between door and jambs is too wide (**Fig. 43**).

Causes:

1. Check reveal on hinges side to see if door is sagging in opening. Sagging may be due to the following:
 - A. Door not anchored properly to stud at top hinge location.
 - B. Top hinge leaf is bent at knuckle.
 - C. Top hinge not set flush into jamb or door.
2. Jamb not square. Check the following:
 - A. Sill for level.
 - B. Head jamb for level.
 - C. Jamb over-shimmed.

Problem #3

Top or bottom corner of door projects into house past jamb (**Fig. 44**).

Causes:

1. Hinges not all set tight against back set of hinge prep on jamb or door.
2. Jamb is racked, one side of jamb kicks into the house while the other jamb kicks outside. This can be checked by using a 6-foot level on each jamb, or cross sighting the jambs with a string. The strings should just touch where they cross in the middle. If there is a gap between these two strings, this is the distance the frames are racked.

Weatherproofing the Door

Fig. 45A & B

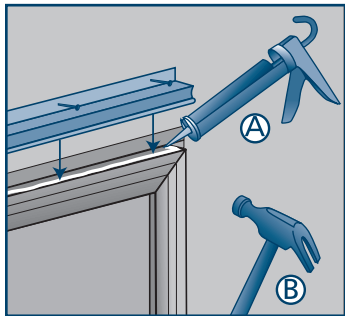


Fig. 46

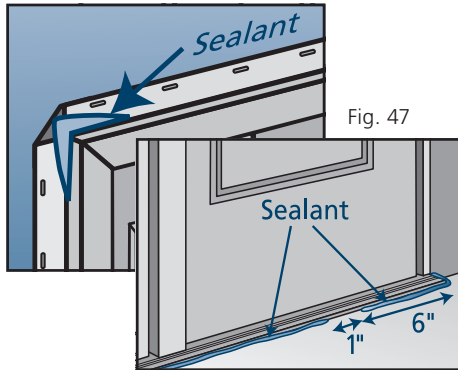


Fig. 47

Drip Cap Installation

1. Cut a piece of galvanized drip cap the length of the header brickmould plus **1/4"** to allow for **1/8"** overlap past the ends of the header brickmould.
 - Apply **1/4"** bead of sealant to top of the header brickmould along the front and side edges (**Fig. 45A**).
 - Nail drip cap in place; apply sealant to side edges (**Fig. 45B**).
2. Drive all nails into the brickmould completely but do not overdrive; do not dent brickmould; set the nail below the surface.
3. Apply sealant to the two upper corners as follows:
 - Follow sealant manufacturer's instructions for surface preparation and application.
 - Apply bead **1/4"** wide to corners extending **1"** along both legs of the corner.
 - Use the back of a spoon (or similar shape) to form sealant into fillet shape (**Fig. 46**).
4. Apply additional sealant as follows:

For doors with step-down landing:

 - Apply a **1/4"** bead of sealant underneath the sill, leaving a **1"** gap **6"** from each end (**Fig. 47**).

For doors on continuous slab:

 - Apply a **1/4"** bead of sealant around the nose of the sill where it makes contact with the slab or step leaving a **1"** gap **6"** from each end of the sill nose.

Please visit www.jeld-wen.com for warranty and care and maintenance information.

Thank you for choosing

JELD-WEN
WINDOWS & DOORS